



ENYA series

Timer for automatic test of emergency lights

Integrated test key

1 change over contact

Width 17.5mm

Installation design



Technical data

1. Functions

Ws Single shot leading edge with control contact

2. Time ranges

Time range reversible between
10min, 30min, 60min, 90min, 2h and 3h

3. Indicators

Green LED U/t ON: indication of supply voltage
Green LED U/t flashes: indication of time period t
Green LED U/t flashes fast: abort of time period t
Yellow LED ON/OFF: indication of relay output

4. Mechanical design

Self-extinguishing plastic housing, IP rating IP 40
Mounted on DIN-rail TS 35 according to EN 60715
Mounting position: any
Shockproof terminal connection according to VBG 4 (PZ1 required),
IP rating IP20
Tightening torque: max. 1Nm
Terminal capacity:
1 x 0.5 to 2.5mm² with/without multicore cable end
1 x 4mm² without multicore cable end
2 x 0.5 to 1.5mm² with/without multicore cable end
2 x 2.5mm² flexible without multicore cable end

5. Input circuit

Supply voltage: 230V AC
Terminals: L-N
Tolerance: -15% to +10%
Rated frequency: 48 to 63Hz
Rated consumption: 2VA (1.0W)
Duty cycle: 100%
Reset time: 500ms
Ripple and noise at DC: -
Drop out voltage: >30% of supply voltage
Overvoltage category: III (in accordance with IEC 60664-1)
Rated surge voltage: 4kV

6. Output circuit

1 change over contact
Normally open contact
Terminals: L-18
Rated voltage: 250V AC
Switching capacity: 1250VA (5A / 250V AC)

Normally closed contact

Terminals: L-16
Rated voltage: 250V AC
Switching capacity: 2500VA (10A / 250V AC)
If the distance between the devices is less than 5mm!

Switching capacity: 4000VA (16A / 250V AC)
If the distance between the devices is greater than 5mm!
Start-up peak (20ms): 80A

Mechanical life: 30 x 10⁶ operations
Electrical life:
Resistive load: 10⁵ operations at 16A 250V
Lamp load: 80.000 operations at 1000W 250V

7. Accuracy

Base accuracy: ±5%
Adjustment accuracy: -
Repetition accuracy: <2%
Voltage influence: -
Temperature influence: ≤1%

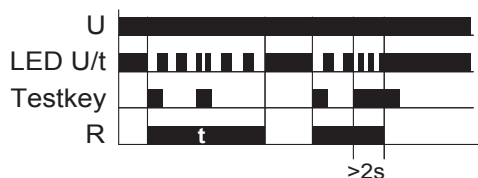
8. Ambient conditions

Ambient temperature: -25 to +55°C
Storage temperature: -25 to +70°C
Transport temperature: -25 to +70°C
Relative humidity: 15% to 85%
(in accordance with IEC 60721-3-3 class 3K3)
Pollution degree: 2, if built in 3
(in accordance with IEC 60664-1)

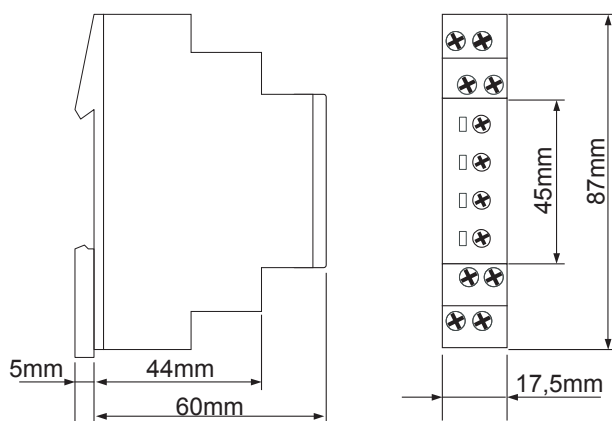
Functions

Single shot leading edge with testkey (Ws)

The supply voltage U must be constantly to the device (green LED U/t illuminated). Pressing the integrated test key forces the output relay R to switch into on-position (yellow LED illuminated), so the emergency lights are disconnected from the mains and the set interval t begins (green LED U/t flashes). After the interval t has expired (green LED U/t illuminated), the output relay R switches into off-position (yellow LED not illuminated) and the emergency lights are reconnected to the mains. During the interval, the test key can be operated any number of times. Prolonged pressure on the test key (>2s) aborts the running test interval (green LED U/t flashes fast) and a further cycle can be started.

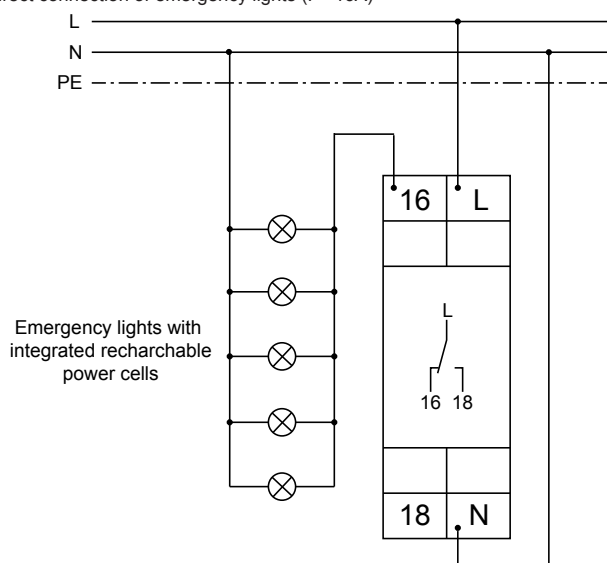


Dimensions

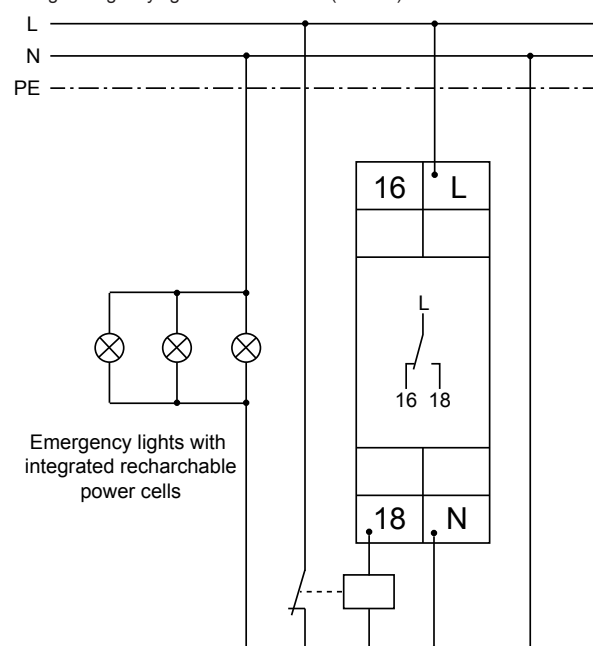


Connections

Direct connection of emergency lights ($I < 16A$)



Switching emergency lights with contactor ($I > 16A$)



Ordering information

Types	Functions	Control contact	Supply voltage	Part. No.
E1ZNT 230V	Ws	Integrated test key	230V AC	110500