

# DOOR CHIMES

## ECHO-230-SW



HiFi Chime with brilliant sound quality where you can play your own sounds. Complete with optical signalisation and software. Sounds can be loaded with Micro-SD Card (not supplied). Supply 8/12VAC/DC or 230VAC.

**Colour: Black/White - 43540**

**ECHO-230-SW**

## ECHO-230-WS



HiFi Chime with brilliant sound quality where you can play your own sounds. Complete with optical signalisation and software. Sounds can be loaded with Micro-SD Card (not supplied). Supply 8/12VAC/DC or 230VAC.

**Colour: White - 43541**

**ECHO-230-WS**

## ECHO-120-SW



HiFi Chime with brilliant sound quality where you can play your own sounds. Complete with optical signalisation and software. Sounds can be loaded with Micro-SD Card (not supplied). Supply 8/12VAC/DC.

**Colour: Black/White - 43530**

**ECHO-120-SW**

## ECHO-120-WS



HiFi Chime with brilliant sound quality where you can play your own sounds. Complete with optical signalisation and software. Sounds can be loaded with Micro-SD Card (not supplied). Supply 8/12VAC/DC.

**Colour: White - 43531**

**ECHO-120-WS**

## CROMA 230A



Electronic Chime with 17 brilliant polyphone tones which includes special tone sequence for people with hearing difficulties. Supply 8/12VAC/DC or 230VAC. Can be paralleled to other chimes and features an adjustable volume control.

**Colour: White/Grey - 43175**

**CROMA 230A**

## CROMA 230A-A/W



Electronic Chime with 17 brilliant polyphone tones which includes special tone sequence for people with hearing difficulties. Supply 8/12VAC/DC or 230VAC. Can be paralleled to other chimes and features an adjustable volume control.

**Colour: White with Aluminium finish - 43190**

**CROMA 230-ALU**

# DOOR CHIMES

## CROMA 231A



Electronic Chime with 17 brilliant polyphone tones which includes special tone sequence for people with hearing difficulties. Supply 8/12VAC/DC or 230VAC. Can be paralleled to other chimes and features an adjustable volume control.

**Colour: Silver/Grey - 43177**

**CROMA 231A**

## CROMA 231A-WS/SI



Electronic Chime with 17 brilliant polyphone tones which includes special tone sequence for people with hearing difficulties. Supply 8/12VAC/DC or 230VAC. Can be paralleled to other chimes and features an adjustable volume control.

**Colour: Silver/White - 43196**

**CROMA 231A-ws/si**

## CROMA 231A-WS/SW



Electronic Chime with 17 brilliant polyphone tones which includes special tone sequence for people with hearing difficulties. Supply 8/12VAC/DC or 230VAC. Can be paralleled to other chimes and features an adjustable volume control.

**Colour: Black/White - 43197**

**CROMA 231A-ws/sw**

## CROMA 231A-WS/SW



Electronic Chime with 17 brilliant polyphone tones which includes special tone sequence for people with hearing difficulties. Supply 8/12VAC/DC or 230VAC. Can be paralleled to other chimes and features an adjustable volume control.

**Colour: White - 43195**

**CROMA 231A-ws/ws**

## CROMA 100A



Electronic Chime with 17 brilliant polyphone tones which includes special tone sequence for people with hearing difficulties. Supply 8/12VAC/DC or battery operation available. Can be paralleled to other chimes and features an adjustable volume control.

**Colour: White with Aluminium finish - 43170**

**CROMA 100A**

## CROMA 50



Electronic Chime with 3 tones. Battery Operated (4x1.5 C type not included). Can be paralleled to other Chimes and features an adjustable volume control.

**Colour: White/Grey - 43150**

**CROMA 50**

# DOOR CHIMES

## CHIME 225A



Electronic Chime with 3 tones. Battery Operated (4x1.5 C type not included). Can be paralleled to other Chimes and features an adjustable volume control. Timeless design.

**Colour: White - 43225**

**Chime 225A**

## CHIME 169ATRW



Electromechanical 2 Tone Chime with integrated 230VAC transformer.

**Colour: White - 44172**

**Chime 169TRw**

## CHIME 169BW



Electromechanical 2 Tone Chime. Battery Operated (4x1.5 C type not included) also suitable for 8-12VAC supply transformer.

**Colour: White - 44169**

**Chime 169Bw**

## CHIME 065



Electromechanical 2 Tone Chime for operation with an external transformer or a 9V D type battery (not included).

**Colour: Silver triangle/White - 44065**

**Chime 065**

## CHIME 665



Electromechanical 2 Tone Chime for operation with an external transformer or a 9V D type battery (not included).

**Colour: Blue square/White - 44665**

**Chime 665**

## CHIME 565



Electromechanical 2 Tone Chime for operation with an external transformer or a 9V D type battery (not included).

**Colour: Silver square/White - 44565**

**Chime 565**

## CHIME 569W



Electromechanical 2 Tone Chime for operation with an external transformer or 4x1.5V C type batteries (not included).

**Colour: White - 44569**

**Chime 569W**

# DOOR CHIMES & BELL

## CHIME 265BW



Electromechanical 2 Tone Chime. Battery Operated (9V type not included) also suitable for 8-12VAC supply transformer.

**Colour: White - 44265**

Chime 265Bw

## BELL LTW 1101A



Electromechanical Bell with white plastic housing. 8VAC supply 84dB output - 24075

LTW 1101A

# DOOR CHIME ACCESSORIES

## ETA-S-100 SERIES



Stainless steel circular door chime push button in solid design

**ETA-S-100 - 55540**

**ETA-S-100LEDws with white LED - 55542**

## ETA-S-200 SERIES



Stainless steel square door chime push button in solid design

**ETA-S-200 - 55541**

**ETA-S-200LEDws with white LED - 55544**

## ETA-S-102



Door Chime push button made of stainless steel material - circular design

**ETA-S-102 - 55912**

## ETA-S-202



Door Chime push button made of stainless steel material - square design

**ETA-S-202 - 55922**

# DOOR CHIME ACCESSORIES

## ETA-S-302 SERIES



Door Chime push button made of stainless steel material - oval design  
**ETA-S-302 - 55932**

## ETA-S-402



Door Chime push button made of stainless steel material rectangular design  
**ETA-S-402 - 55942**

## ETA-2310



Surface mounted cast brass door chime push button - brushed brass finish  
**ETA-2310 - 55595**

## ETA-2312



Surface mounted cast brass door chime push button - textured and burnished brass finish  
**ETA-2312 - 55597**

## KKO-2002-SW



Door Chime push button with illuminated Name Strip - Colour Black  
**KKO-2002-SW - 64086**

## KKO-2002-WS



Door Chime push button with illuminated Name Strip - Colour White  
**KKO-2002-WS - 64085**

## KKO-2018



Door Chime push button with stainless steel colour finish  
**KKO-2018 - 64033**

# DOOR CHIME ACCESSORIES

## KKO-2019



Door Chime push button including Name Plate with stainless steel colour finish.  
**KKO-2019 - 64034**

## MONTILUX



Surface mounted plastic weatherproof door chime push button with illuminated name strip.  
**Montilux - 51011**

## ETA-2132 & ETA-2122



Surface mounted plastic weatherproof door chime push button with name strip.  
**ETA-2132 illuminated - 51015**  
**ETA-2122 non-illuminated - 51014**

## KKO SERIES



Surface mounted plastic weatherproof door chime push button - non-illuminated.  
**Colours: White / Silver / Gold with Black push button**  
**KKO-2001 (White) - 64090**  
**KKO-2001-S (Silver/Black) - 64094**  
**KKO-2001-G (Gold/Black) - 64091**

## KKO-L SERIES



Surface mounted plastic weatherproof door chime push button - with LED illumination.  
**Colour: White / Silver / Gold**  
**KKO-L-2001 (White) - 64070**  
**KKO-L-2001-S (Silver) - 64074**  
**KKO-L-2001-G (Gold) - 64071**

## KKO-2005 SERIES



Low cost surface mounted door chime push button .  
**Colours: White and Black with White Button**  
**KKO-2005 (Black) - 64035**  
**KKO-2005W (White) - 64036**

## GT50810



Bell Transformer with Fail-safe. 230VAC input with 8VAC (1.0A) output. 2 Modules wide.  
**GT50810 - 14207**

# DOOR CHIME ACCESSORIES

## GT1965



Bell transformer with fail safe. 230VAC input with 8VAC (2.0A) output. 2 Modules wide  
**GT1965 - 14102**

## GT36AP



Surface mounted installation kit for GT50810 and GT1965 safety transformers  
**GT36AP - 14936**

# WIRELESS DOOR CHIMES

## ECHO-M-SW



Wireless HiFi Chime with brilliant sound quality where you can play your own sounds. Transmitter range is 500 meters. Complete with optical signalisation and software. Sounds can be loaded with Micro-SD Card (not supplied). Supply 8/12VAC/DC or Battery.

**Colour: Black/White - 43501**  
**ECHO-M-SW**

## ECHO-M-WS



Wireless HiFi Chime with brilliant sound quality where you can play your own sounds. Transmitter range is 500 meters. Complete with optical signalisation and software. Sounds can be loaded with Micro-SD Card (not supplied). Supply 8/12VAC/DC or Battery.

**Colour: White - 43502**  
**ECHO-M-WS**

## MISTRAL TRANSMITTER PUSH BUTTON - IP54



Transmitter push button for all Mistral Chimes with a 500m range (IP54).

Colour: white and anthracite/silver

**Mistral-SE-03 (white) - 43441**

**Mistral-SE-03.1s (anthracite/silver) - 43440**

# WIRELESS DOOR CHIMES

## MISTRAL MOVEMENT DETECTOR TRANSMITTER



Movement detector transmitter suitable for Mistral Chimes with a 500m transmission range. Maximum monitoring range is 108° at 15m. For indoor use only.

**Mistral-BM03.1 - 43445**

## MISTRAL-300M



Wireless door chime set with a range of 500m or expandable with distance booster option. Includes 17 melodies and LED flash indicator. Transmitter push button is waterproof (IP54) - 43300

**MISTRAL-300M**

## MISTRAL-200M



Wireless door chime set with a range of 500m (not expandable, without distance booster option). Includes 17 melodies without indicator. Transmitter push button is waterproof (IP54) - 43305

**MISTRAL-200M**

## MISTRAL-300E



Wireless door chime without transmitter push button. Includes 17 melodies and LED flash indicator - 43301

**MISTRAL-300E**

## MISTRAL-300M-BM



Wireless chime set with a range of 500m or expandable with distance booster option. Includes 17 melodies and LED flash indicator. Push button not included - instead a movement detector with a maximum monitoring range of 108° at 15m is supplied to trigger the chime. Indoor use only - 43315

**MISTRAL 300M-BM**



# WIRELESS DOOR CHIMES

## TECHNICAL INFORMATION

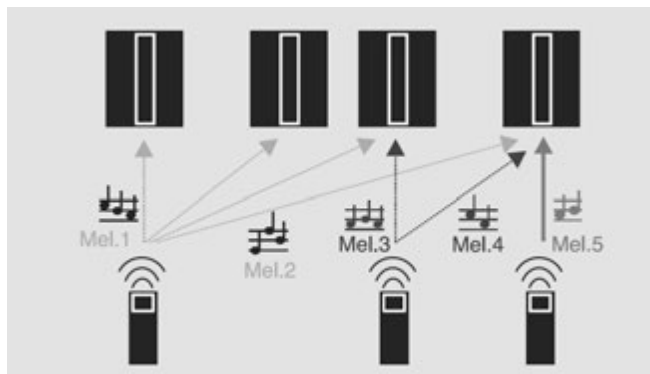
### 1. CENTRAL PAGING



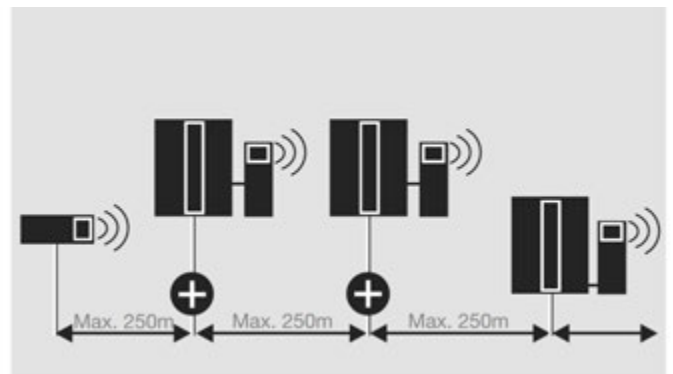
### 2. INDIVIDUAL PAGING



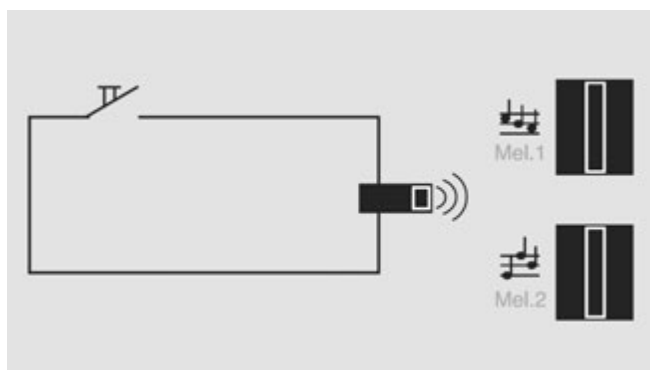
### 3. MATRIX PAGING



### 4. CALL FORWARD DRY CONTACT



### 5. DISTANCE BOOSTER



### 6. CALL FORWARDING

