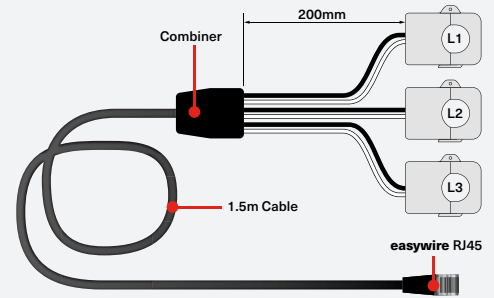


RI-CTSYS-016-EW Series



easywire® Three-Phase (3x Single-Phase) Mini Split-Core Current Transformers



Ø 16mm

Product Description

The RI-CTSYS-016-EW Series is part of the **easywire®** family of current transformers and forms part of a growing family of three-phase split-core (3x single-phase) moulded case current transformers from Rayleigh Instruments.

The **easywire®** system has been designed to save up to 90% installation time compared to a standard current transformer to meter installation.

These transformers are suitable for monitoring current flow in domestic, commercial, industrial or utility applications and are designed to connect to the **easywire®** series of metering products.

The RI-CTSYS-016-EW current transformers have been designed for ease of installation into existing set-ups where removal of existing cable is impractical. They also have clear markings moulded into the case to indicate the correct direction of primary current flow to minimise installation errors.

Built-in limiting circuitry ensures the secondary of the current transformer is always under load and clamped to a safe level. This means that the output connection may be safely disconnected while under load.

- Patented technology
- 63A or 100A Primary currents
- RJ45 connector output
- 330mV **easywire®** Secondary output
- 16mm cable aperture and 35.2mm width (each x 3)
- Integral 200mm + 1.5m cable
- Snap together housing
- Space saving compact design (no junction box)
- Indication of primary current flow (arrow on case body)
- Quick and easy installation
- Remains safe when disconnected under load

Parameters

Primary Current A	Output	Order Code
63	330mV	063
100	330mV	100

Rated Standard (each Current Transformer)

Rated Primary Current (I_{pr})	63A or 100A
Frequency Range (f_R)	47...63Hz
Rated continuous over current (I_{cth})	1.2 x rated current
Rated short time thermal current (I_{th})	$\leq 60 \times I_{pr}$
Rated dynamic current (I_{dyn})	2.5 I_{th}
Instrument security factor (FS)	≤ 5
Rated Secondary output	easywire ® 330mV
Accuracy class	Class 1 to IEC/EN61869-2, IEC/EN60044-8

Insulation

Insulation type	Dry transformer, air insulation
Highest voltage (U_m)	0.72kV r.m.s.
Rated insulation level	3kV r.m.s. 50Hz/1 min

Environmental Conditions

Reference temperature	23°C $\pm 1^\circ\text{C}$
Nominal temperature range	-5°C...40°C
Limit temperature range for storage	-40°C...85°C
Relative humidity	$\leq 85\%$ non condensing
Altitude	≤ 1000 meters

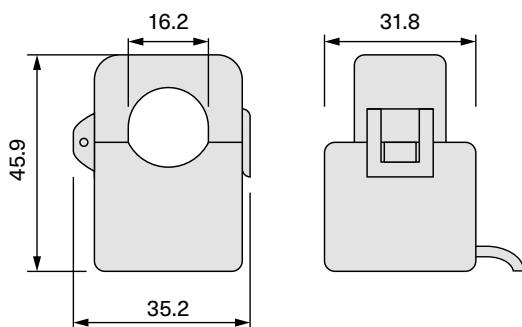
Housing

Housing material	Fire resistant UL94-V0
Protection degree (IEC/EN60529)	IP40 housing, Terminals IP20
Mounting	Snap together housing
Weight	$\geq 240\text{g}$ (each x3)

Connections

Primary winding	Passing cable
Secondary winding	Integral 200mm + 1.5m cable
Secondary Connections	RJ45 plug for connection to easywire ® meters

Dimensions (mm)



Information Required with Order

Build your order number - example	RI-CTSYS-016-EW	330	100	1.5
Model				
Secondary Current - 330mV				
Primary Current Range - See Parameters Table 'Order Code'				
Cable Length : 200mm + 1.5m				